

WASHING

NORMAL SPIN WASHERS LOW AND MEDIUM CAPACITY LN-11/14/18 TP2

CHARACTERISTICS

TP2

- User friendly and totally programmable 7" TP2 touch screen
- USB Connection. PC software free of charge for programming, traceability, data analysis...
- Videos on display (ads, instructions)
- 37 languages
- 8 dosing signals as standard

G FACTOR

- High G-Factor of 200

EFFICIENCY

- Intelligent consumption
- Optimal loading
- Water Recovery tanks ready: KRS
- Low water consumption

VERSATILITY

- Make to order: customisation
- OPL < > COIN
- Electric < > Hot water
- Wet cleaning features

CONNECTIVITY

- Remote technical service
- Management of laundries: OPL and selfservice
- Remote payment

ERGONOMICS

- Biggest door diameters: Ø373 (for LN-11/14) and Ø460 (for LN-18)
- Easy opening/closing system for door lock

MAINTENANCE

- Hinged panel: easy access to parts
- Equivalent parts for all models: contactors, electronic devices, gear
- Technical menu: traceability, error diagnosis

OTHERS

- Hard mounted washers.
- Anchoring to floor with anchoring base.
- Panels in skinplate.
- Drum and tub in stainless steel AISI 304
- 3 water inlets.
- CB and WRAS approved product
Option ETL

OPTIONS

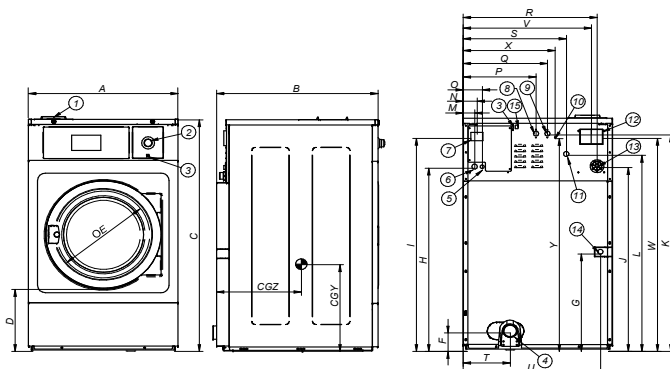
- Double drain
- External double drain 3" (recommended for LN-11/14)
- Normally closed valve
- Water RE-CYCLE: recirculation of bath water
- Relay card with 6 extra dosing signals: up to 14 signals
- Printer
- FagorConnect IoT
- Silicone gasket
- Reversible door opening
- Tropicalized model: protected board
- Steam kit to transform an E or HW heated machine into steam version
- Stainless steel outer casing
- Stainless steel front panel
- SLUICE: model with 8mm drum holes
- Anchoring base
- Maritime voltage for electric models: 440V III 50/60 Hz No neutral
- Coin / token kit
- Delayed door opening in case of power outage



TECHNICAL DATA

NORMAL SPIN WASHERS | LOW AND MEDIUM CAPACITY | LN-11/14/18 TP2

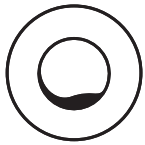
	UNI.	LN-11 TP2	LN-14 TP2	LN-18 TP2			
DRUM							
Load capacity 1:9 / 1:10	Kg	11/10	14/13	20/18			
Volume	l	100	130	180			
Diameter	mm	620	620	700			
Depth	mm	330	430	470			
GENERAL DETAILS							
Washing speed/ Spinning speed	r.p.m.	50/762	50/762	50/714			
Factor G	-	200	200	200			
Maximum force transmitted	KN	2,0 ±3	2,31 ±4	2,63 ±5			
Frequency-dynamic force	Hz	8,93	8,93	8,42			
Noise level	dB	<70	<70	<70			
Coin laundry version	-	Yes	Yes	Yes			
Double drain	-	Opt (external)	Opt (external)	Opt			
Weighing system / Tilting system	-	No/No	No/No	No/No			
SLUICE - Option 8mm holes drum	-	Yes	Yes	Yes			
DOOR							
Height center door/ Height door	mm	570/310	570/310	655/348			
Diameter	mm	373	373	460			
POWER							
Motor	kW	1,1	1,1	2,2			
Electric heating power	kW	6	9	12			
Total electric power (electric model)	kW	6,3	9,5	12,75			
Total electric power (hw, steammodel)	kW	1,1	1,1	2,2			
CONNECTIONS							
		ELECTRICAL	STEAM / HOT WATER	ELECTRICAL	STEAM / HOT WATER	ELECTRICAL	STEAM / HOT WATER
Tensión 230V- I + N + T	Nº x mm2 / A	2x4+T / 32A	2 x 1,5+T / 6A	2x10+T / 50A	2x1,5+T / 6A	2x16+T / 63A	2 x 1,5+T / 10A
Tensión 230V- III + T	Nº x mm2 / A	3x2,5+T / 20A	-	3x4+T / 32A	-	3 x 6+T / 40A	-
Tensión 400V- III + N + T	Nº x mm2 / A	4x1,5+T / 16A	-	4x1,5+T / 16A	-	4x 2,5+T / 20A	-
Steam inlet (Steam model)	inch	1/2"		1/2"		1/2"	
Maximum steam consumption (Steam model)	Kg/h	7		8,5		12	
Water inlet	inch	3/4"		3/4"		3/4"	
Water main pressure	Kgs/cm ²	2-4		2-4		2-4	
Maximum water consumption*	Lit/h	59,8		79,4		118,70	
Drain	inch	3"		3"		3"	
Drainage capacity	Lit/min	200		200		200	
DIMENSIONS / PACKING DIMENSIONS							
Net Width / Gross Width	mm	719/800		719/800		788/840	
Net Depth / Gross Depth	mm	684/850		830/990		840/1.010	
Net Height / Gross Height	mm	1.158/1.350		1.158/1.350		1.307/1.500	
Net weight / Gross weight	kg	217/225		239/247		281/301	
Volume	m ³	1,07		1,07		1,27	



- 1- SOAP DISPENSER
- 2- EMERGENCY STOP
- 3- USB PORT
- 4- DRAIN
- 5- ELECTRIC CONNECTION TO LIQUID SOAP PUMPS
- 6- ELECTRICAL CONNECTION
- 7- MAIN SWITCH
- 8- AUXILIAR WATER INLET
- 9- HOT WATER INLET
- 10- EQUIPOTENTIAL CONNECTION
- 11- COLD WATER INLET
- 12- BLUR OUTPUT / WATER OVERLOAD
- 13- LIQUID SOAP CONNECTION
- 14- STEAM CONNECTION
- 15- ETHERNET PORT

* N°20 Program, 75% load

	A	B	C	D	E	F	G	H	I	J	K	L	M	N	O	P	Q	R	S	T	U	V	W	X	Y	CGY	CGZ	
LN-11	mm	719	697	1.158	310	373	144	440	886	1.054	889	1.073	958	61	74	101	316	376	637	475	211	654	607	1.053	416	1.053	383	511
LN-14	mm	719	840	1.158	310	373	144	440	886	1.054	889	1.073	958	61	74	101	316	376	637	475	211	654	607	1.053	416	1.053	484	524
LN-18	mm	788	850	1.307	348	460	115	552	1.035	1.203	1.038	1.222	1.107	61	74	101	385	445	706	544	249	724	676	1.202	485	1.202	479	546



WASHING

-

NORMAL SPIN WASHERS LOW AND MEDIUM CAPACITY LN-25/35C/45C/60 TP2

CHARACTERISTICS

TP2

- User friendly and totally programmable 7" TP2 touch screen
- USB Connection. PC software free of charge for programming, traceability, data analysis...
- Videos on display (ads, instructions)
- 37 languages
- 8 dosing signals as standard

G FACTOR

- G-FACTOR 200 for LN-25/35C/45C
- G-FACTOR 150 for LN-60

EFFICIENCY

- Intelligent consumption
- Optimal loading
- Water Recovery tanks ready: KRS
- Low water consumption

VERSATILITY

- Make to order: customisation
- OPL < > COIN
- Electric < > Hot water
- Wet cleaning features

CONNECTIVITY

- Remote technical service
- Management of laundries: OPL and selfservice
- Remote payment

ERGONOMICS

- Biggest door diameters: Ø460 (for LN-25) and Ø560 (for LN-35C/45C/60)
- Easy opening/closing system for door lock

MAINTENANCE

- Hinged panel: easy access to parts
- Equivalent parts for all models: contactors, electronic devices, gear
- Technical menu: traceability, error diagnosis

OTHERS

- Hard mounted washers.
- Anchoring to floor with anchoring base.
- Panels in skinplate.
- Drum and tub in stainless steel AISI 304
- 3 water inlets.
- CB and WRAS approved product
Option ETL

OPTIONS

- Double drain
- Normally closed valve
- Silicon gasket (for LN-25)
- Water RE-CYCLE: recirculation of bath water
- Relay card with 6 extra dosing signals: up to 14 signals
- Printer
- FagorConnect IoT
- Reversible door opening
- Tropicalized model: protected board
- Steam kit to transform an E or HW heated machine into steam version
- Stainless steel outer casing
- Stainless steel front panel
- SLUICE: model with 8mm drum holes (for LN-25/35C/45C)
- Anchoring base
- Maritime voltage for electric models: 440V III 50/60 Hz No neutral
- Voltage 230 V III for LN-60
- Coin / token kit
- Delayed door opening in case of power outage

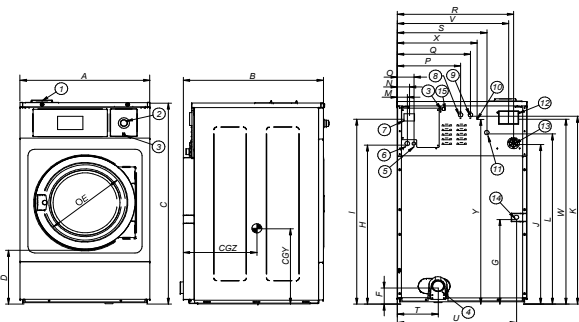


TECHNICAL DATA

NORMAL SPIN WASHERS | LOW AND MEDIUM CAPACITY | LN-25/35C/45C/60 TP2

	UNIT.	LN-25 TP2	LN-35C TP2	LN-45C TP2	LN-60 TP2				
DRUM									
Load capacity 1:9 / 1:10	Kg	28/25	39/35	47/42	67/60				
Volume	l	250	350	420	600				
Diameter	mm	770	860	860	1.048				
Depth	mm	530	602	723	684				
GENERAL DETAILS									
Washing speed / Spining speed	r.p.m.	40/682	45/644	45/644	42,5/505				
G Factor	-	200	200	200	150				
Maximum force transmitted	KN	3,53 ±6	4,59 ±8	4,59 ±8	9,12 ±15				
Frequency-dynamic force	Hz	8,02	7,58	7,58	6,93				
Noise level	dB	<70	<70	<70	<70				
Coin laundry version	-	Yes	Yes	Yes	Yes				
Double drain	-	Opt	Opt	Opt	Opt				
Weighing system / Tilting system	-	No/No	No/No	No/No	No/No				
SLUIICE Version	-	Yes	Yes	Yes	No				
DOOR									
Height center door / Height door	mm	700/400	735/440	735/440	900/540				
Diameter	mm	460	560	560	560				
POWER									
Motor	kW	3	4	6	5,5				
Electric heating power	kW	18	21	21	36				
Total electric power (electric model)	kW	19	22	23	38				
Total electric power (hw, steam model)	kW	3	4	6	5,5				
CONNECTIONS		ELECTRIC	STEAM/HOT WATER	ELECTRIC	STEAM/HOT WATER	ELECTRIC	STEAM/HOT WATER	ELECTRIC	STEAM/HOT WATER
Tension 230V- I + N + T	N° x mm2 / A	-	2x1,5+T / 6A	-	2x2,5+T / 20A	-	-	-	-
Tension 230V- III + T		3x16+T / 63A	-	3x16+T/63A	-	3x16+T / 63A	-	-	-
Tension 400V- III + N + T		4 x 4+T / 32 A	-	4 x6+T / 40A	-	4x6+T / 40A	4x1,5+T/16A	4 x16+T / 63A	4x2,5+T/20A
Steam inlet (Steam model)	inch	3/4"		3/4"		3/4"		3/4"	
Maximum steam consumption (Steam model)	Kg/h	15		18		18		21	
Water inlet	inch	3/4"		3/4"		3/4"		3/4"	
Water main pressure	Kgs/cm ²	2-4		2-4		2-4		2-4	
Maximum water consump.*	Lit/h	176,1		199,6		199,66		627,9	
Drain	inch	3"		3"		3"		3"	
Drainage capacity	Lit/min	200		200		200		200	
DIMENSIONS / PACKING DIMENSIONS									
Net Width / Gross Width	mm	884/930		979/1.050		979/1.050		1.225/1.360	
Net Depth / Gross Depth	mm	965/1150		1.066/1.250		1.200/1.480		1.279/1.480	
Net Height / Gross Height	mm	1.340/1.523		1.411/1.670		1.411/1.670		1.640/1.880	
Net weight / Gross weight	kg	340/370		473/503		523/553		930/1.050	
Volume	m3	1,63		2,19		2,60		3,78	

* N°20 Program, 75% load



- 1- SOAP DISPENSER
- 2- EMERGENCY STOP
- 3- USB PORT
- 4- DRAIN
- 5- ELECTRICAL CONNECTION TO LIQUID SOAP PUMPS
- 6- ELECTRICAL CONNECTION
- 7- MAIN SWITCH
- 8- AUXILIAR WATER INLET
- 9- HOT WATER INLET
- 10- EQUIPOTENTIAL CONNECTION
- 11- COLD WATER INLET
- 12- BLUR OUTPUT / WATER OVER-LOAD
- 13- LIQUID SOAP CONNECTION
- 14- STEAM CONNECTION
- 15- ETHERNET PORT

	A	B	C	D	E	F	G	H	I	J	K	L	M	N	O	P	Q	R	S	T	U	V	W	X	Y	CGY	CGZ	
LN-27	mm	884	1.010	1.330	400	460	145	548	1.063	1.230	1.065	1.250	1.135	61	74	101	430	510	801	640	268	820	772	1.220	570	1.210	591	543
LN-35C	mm	979	1.065	1.411	370	560	147	623	1.139	1.307	1.116	1.322	1.211	61	74	101	545	625	885	715	262	917	855	1.281	760	1.373	635	682
LN-45C	mm	979	1.185	1.411	370	560	147	623	1.139	1.307	1.116	1.322	1.211	61	74	101	545	625	885	715	262	917	855	1.281	760	1.373	635	760
LN-60	mm	1.225	1.279	1.640	540	560	140	984	1.368	1.536	1.306	1.551	1.318	61	74	101	651	731	1.110	869	270	1.163	1.080	1.470	992	1.595	644	972