



wientjens

the dutch water company

BlueOcean Filter/Compact

A complete, integrated, fuss-free process water
and energy recycling solution.

Blue Ocean Filter

Save Water and Energy in your total laundry



Features

- Proven technology already used by more than 500 laundries worldwide
- Capacity to recover up to 15 m³/hr treated water from multiple washers
- Disk Filtration Technology with depth filtration down to 115 µm
- Automatic filter cleaning
- Compact design with footprint of 3135 x 1290 mm
- Fully automatic, controlled system, low maintenance
- Closed filtration housing to guarantee the highest hygienic standards
- Completely preassembled and tested to minimize installation time
- Possibility to integrate steam injection in filtrate tank to control recovered water temperature, returned to washers
- Possibility to collect removed lint and hair

Description

The incredible handy Blue Ocean Filter will clean your wash water through in-depth filtration.

Developed to be the first "Plug and Play" of its kind, it combines all the proven Wientjens recycling technology with an absolute minimum of space and installation requirements.

Useable in all industrial laundry settings, 2 buffer tanks, wash water and filtrate, ensure that the Blue Ocean Filter functions smoothly in the wash process.

The Wientjens Blue Ocean Filter gives the highest results and savings, for minimal disruption.

If you want to know what the Blue Ocean Filter can do for you, please contact our distributor. They will be pleased to inform you about the possibilities and potential savings for your laundry.

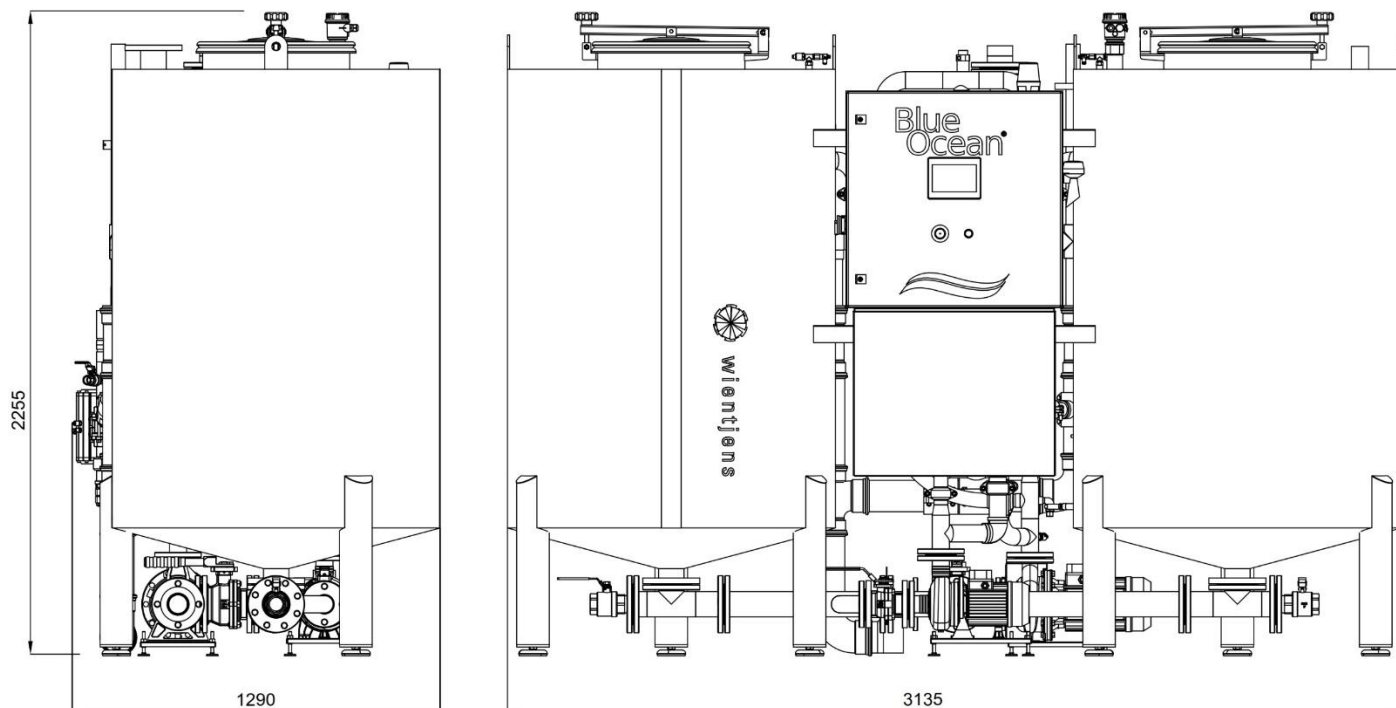
Applications

- Hospital laundries
- Hotel laundries
- Suitable for Tunnel Washers and Washer Extractors



wientjens

Dimensiones



Technical data

Dimensions

long.....	3135	mm
wide.....	1290	mm
high.....	2255	mm
transport weight.....	850	kg
Clearance space around the unit for maintenance.....	500	mm

Pipe connections

from washer to the Blue Ocean Filter.....	3"	BSP
from Blue Ocean Filter to the washers.....	2½"	BSP

Electrical

voltage.....	3x 400V + N + earth	V
frequency.....	50	Hz
power.....	5.6	kW

Compressed air

connection.....	¼"	BSP
minimum pressure.....	6	bar
maximum pressure.....	8	bar
consumption (max).....	0,5	Nm ³ /hr

Sewer outlet

from Blue Ocean Filter to sewer or AquaDrain.....	1½"	BSP
---	-----	-----

Wash water

maximum temperature (continuous load).....	70	°C
maximum filtration flow (depending on the soiling).....	15	m ³ /h

Benefits

- Small footprint; only 4 m²
- Up to 75% fresh water savings
- Fully automatic process cycles
- Operational efficiency
- Low cost of ownership
- High reliability due to high quality components
- Low maintenance
- Includes an on-line remote service module
- Includes our Cloud Dashboard for data insights



wientjens